



PRODUCT DATA SHEETS



- **Drums**
- **Lids**
- **Pumps**
- **Spout hose extensions**



INDEX

1.5 LITER / 1.5 US QUART DRUM

2 LITER / 2 US QUART DRUM

3 LITER / 3 US QUART DRUM

5 LITER / 5 US QUART DRUM

10 LITER / 10 US QUART DRUM

MINI SPOUT LID

UTILITY LID

STORAGE LID

STRETCH SPOUT LID

STUMPY SPOUT LID

STRETCH SPOUT HOSE EXTENSION

STUMPY SPOUT HOSE EXTENSION

PUMP

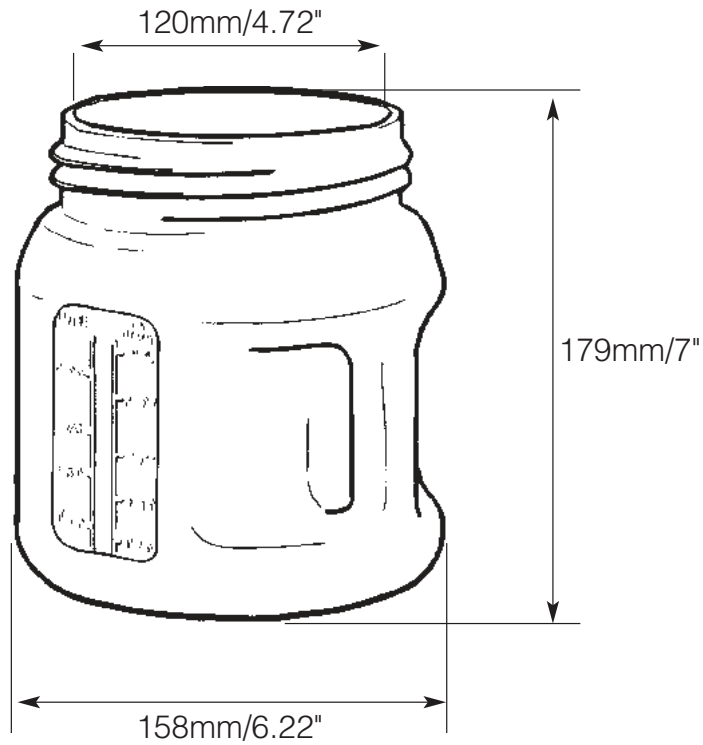
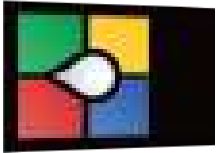
US Patent #6364176

© Whitmore Manufacturing, LLC. All Rights Reserved

www.oilsafe.com

Product Data Sheet

Product Name:	1.5 LITER / 1.5 US QUART DRUM
Weight:	.693 lbs./ .32 kg.
Material:	Engineering Plastic NOT SUITABLE FOR USE WITH FUELS OR SOLVENTS
Service Temperature:	80°C/176°F
Additives:	UV Stabilizers Anti-Static Additives



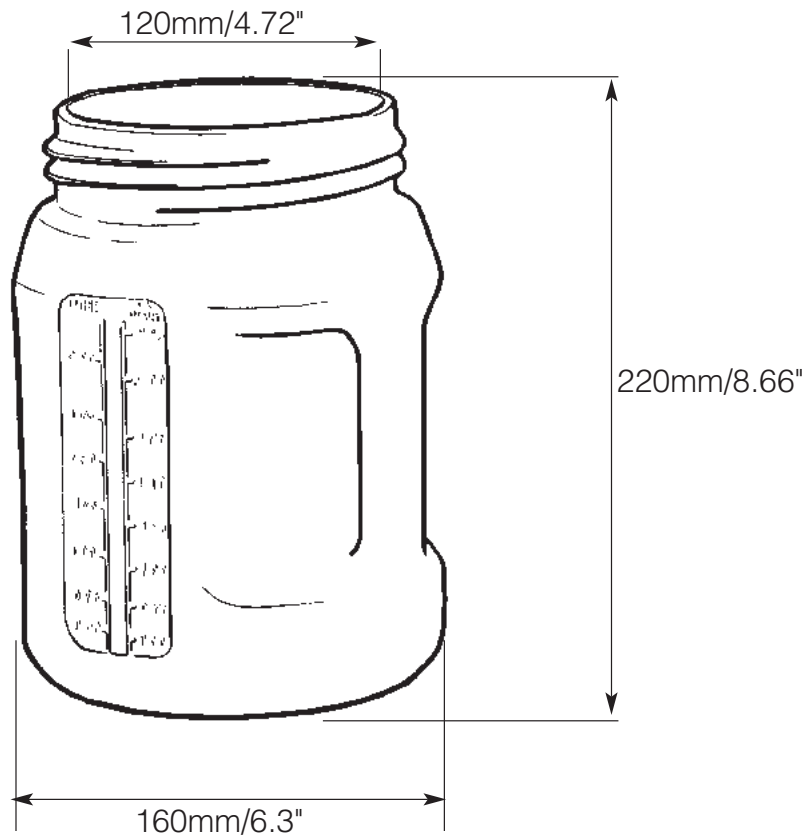
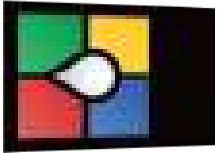
US Patent #6364176

© Whitmore Manufacturing, LLC. All Rights Reserved.

www.oilsafe.com

Product Data Sheet

Product Name:	2 LITER / 2 US QUART DRUM
Weight:	.712 lbs./ .325 kg.
Material:	Engineering Plastic NOT SUITABLE FOR USE WITH FUELS OR SOLVENTS
Service Temperature:	80°C/176°F
Additives:	UV Stabilizers Anti-Static Additives



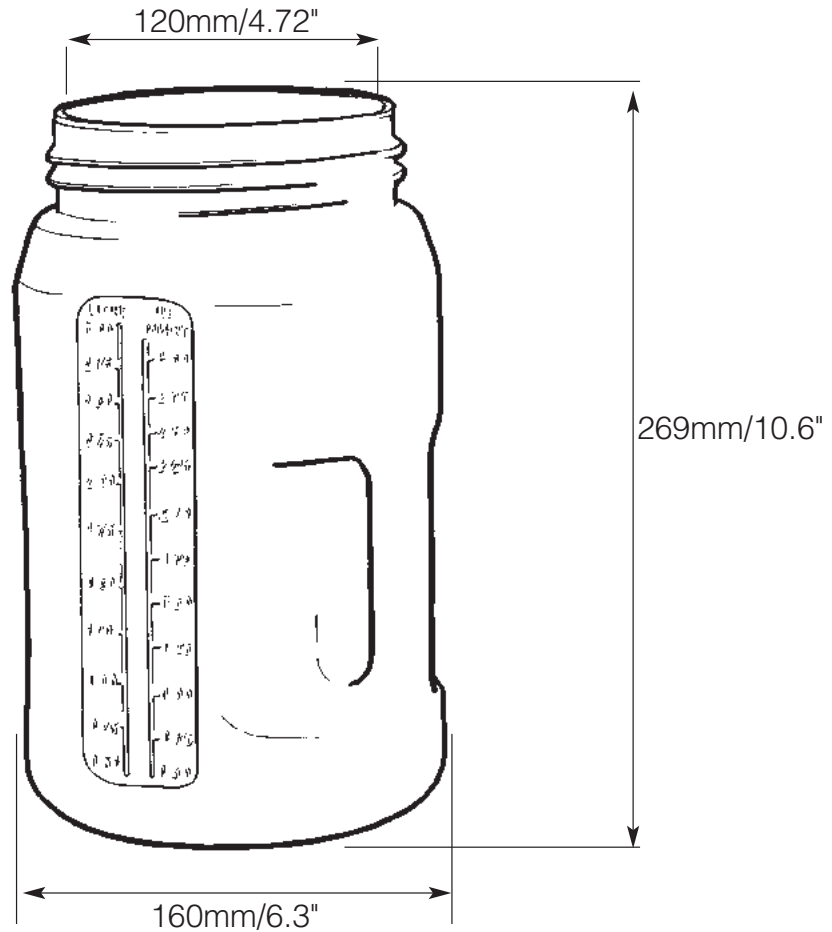
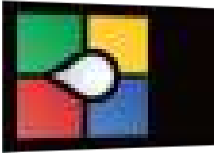
US Patent #6364176

© Whitmore Manufacturing, LLC. All Rights Reserved.

www.oilsafe.com

Product Data Sheet

Product Name:	3 LITER / 3 US QUART DRUM
Weight:	.875 lbs./4 kg.
Material:	Engineering Plastic NOT SUITABLE FOR USE WITH FUELS OR SOLVENTS
Service Temperature:	80°C/176°F
Additives:	UV Stabilizers Anti-Static Additives



US Patent #6364176

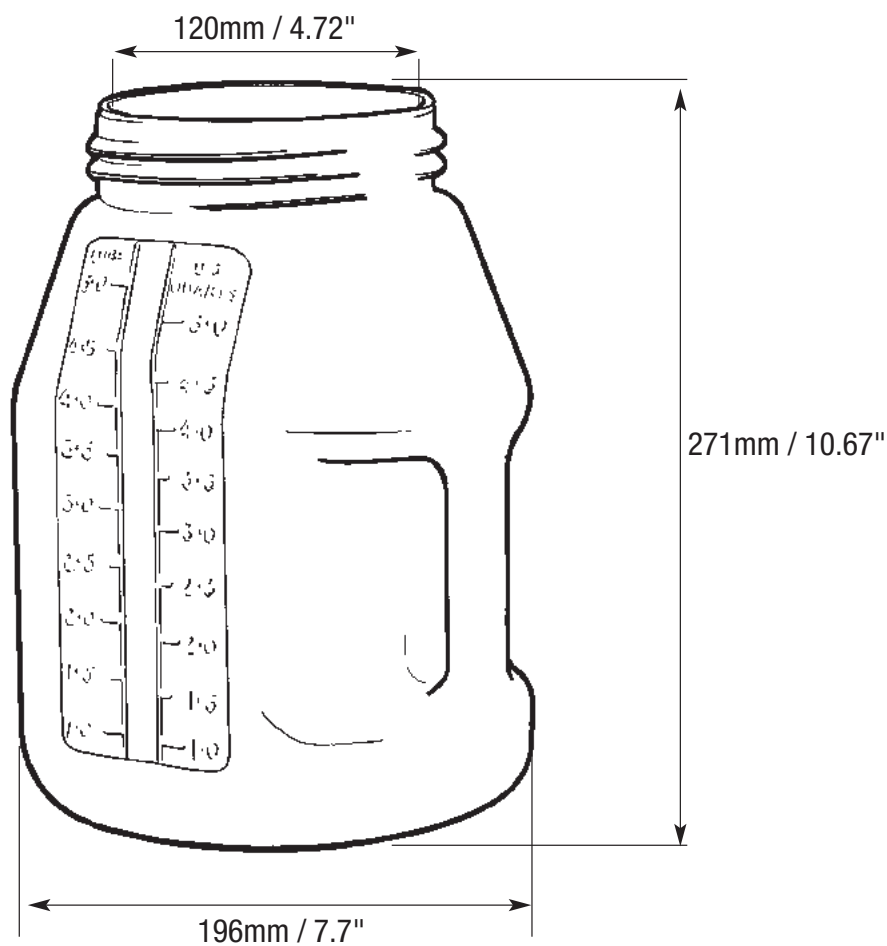
© Whitmore Manufacturing, LLC. All Rights Reserved.

www.oilsafe.com



Product Data Sheet

Product Name:	5 LITER / 5 US QUART DRUM
Weight:	.968 lbs./ .44 kg.
Material:	Engineering Plastic NOT SUITABLE FOR USE WITH FUELS OR SOLVENTS
Service Temperature:	80°C/176°F
Additives:	UV Stabilizers Anti-Static Additives

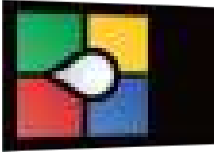


US Patent #6364176

© Whitmore Manufacturing, LLC. All Rights Reserved.

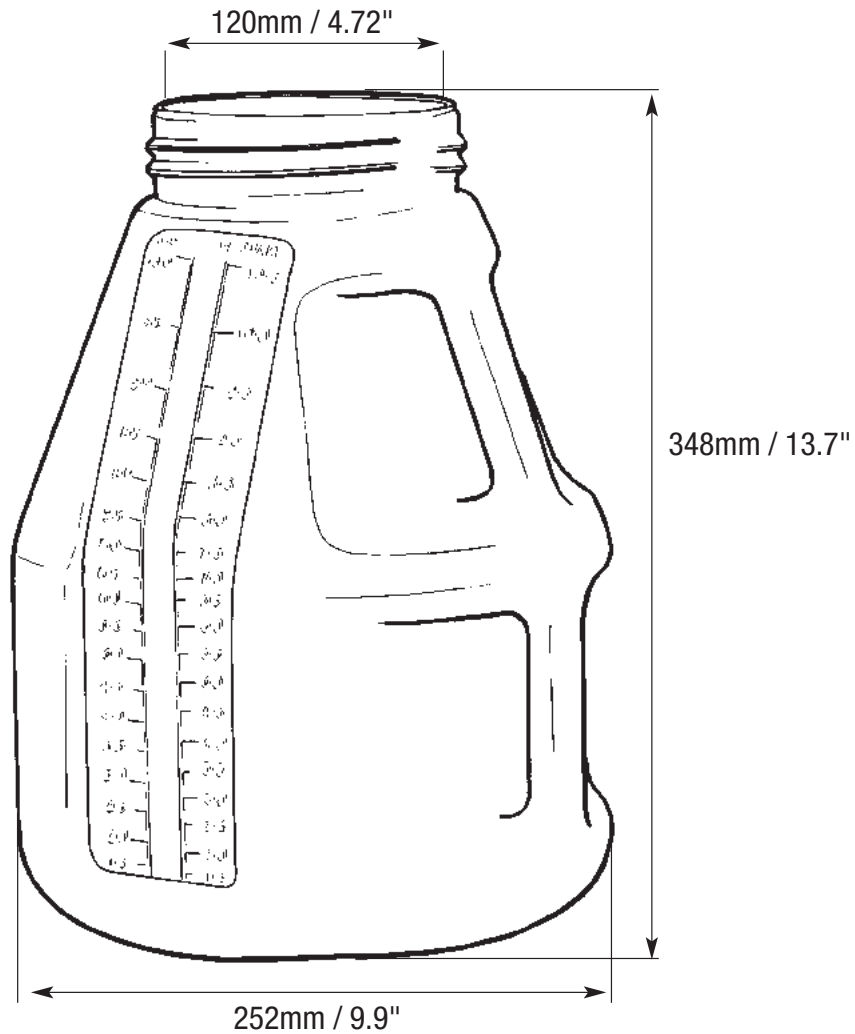
www.oilsafe.com

oilsafe®



Product Data Sheet

Product Name:	10 LITER / 10 US QUART DRUM
Weight:	1.88 lbs./ .86 kg.
Material:	Engineering Plastic NOT SUITABLE FOR USE WITH FUELS OR SOLVENTS
Service Temperature:	80°C/176°F
Additives:	UV Stabilizers Anti-Static Additives



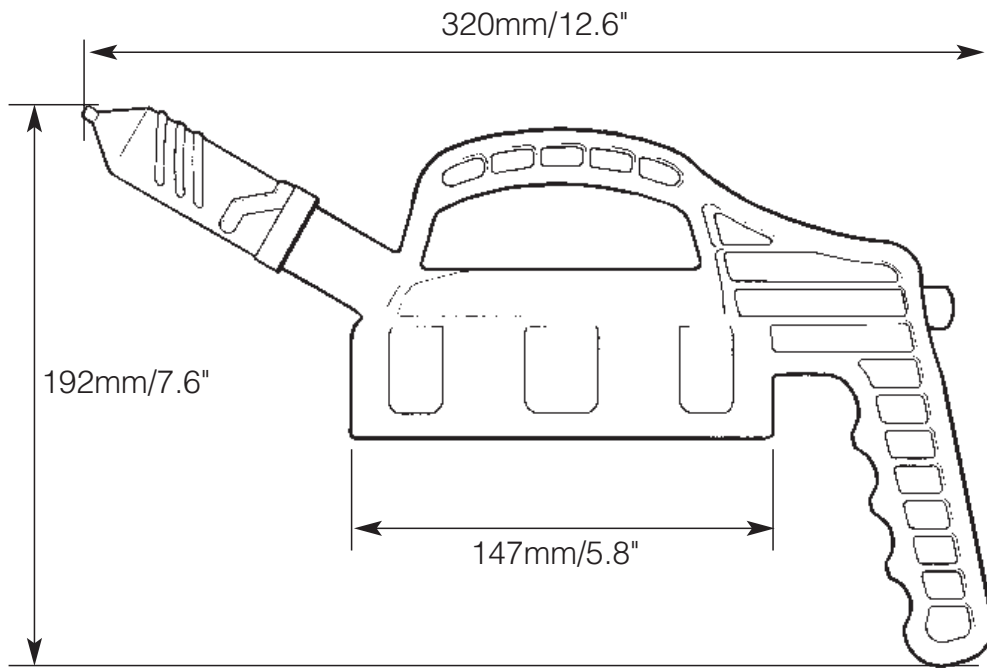
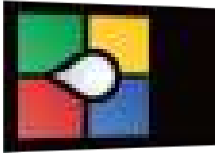
US Patent #6364176

© Whitmore Manufacturing, LLC. All Rights Reserved.

www.oilsafe.com

Product Data Sheet

Product Name:	MINI SPOUT LID
Weight:	.875 lbs./ .4 kg
Material:	Engineering Plastic NOT SUITABLE FOR USE WITH FUELS OR SOLVENTS
Service Temperature:	80°C/176°F
Additives:	UV Stabilizers Anti-Static Additives
Colors Available:	TEN



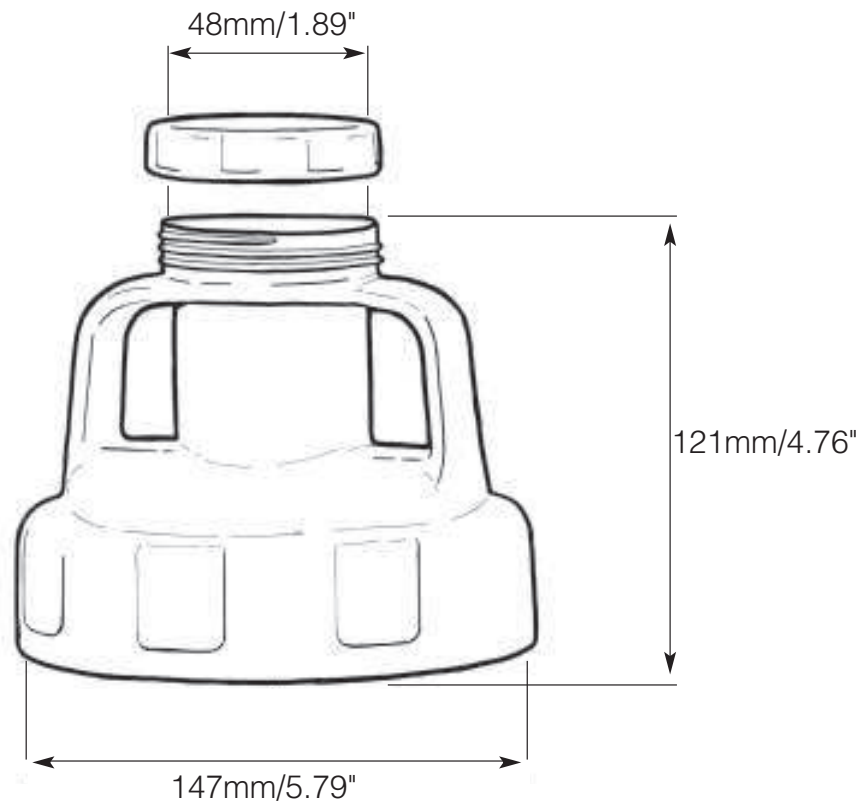
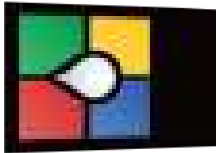
US Patent #6364176

© Whitmore Manufacturing, LLC. All Rights Reserved.

www.oilsafe.com

Product Data Sheet

Product Name:	UTILITY LID
Weight:	.525 lbs./ .24 kg.
Material:	Engineering Plastic NOT SUITABLE FOR USE WITH FUELS OR SOLVENTS
Service Temperature:	80°C/176°F
Additives:	UV Stabilizers Anti-Static Additives
Colors Available:	Ten



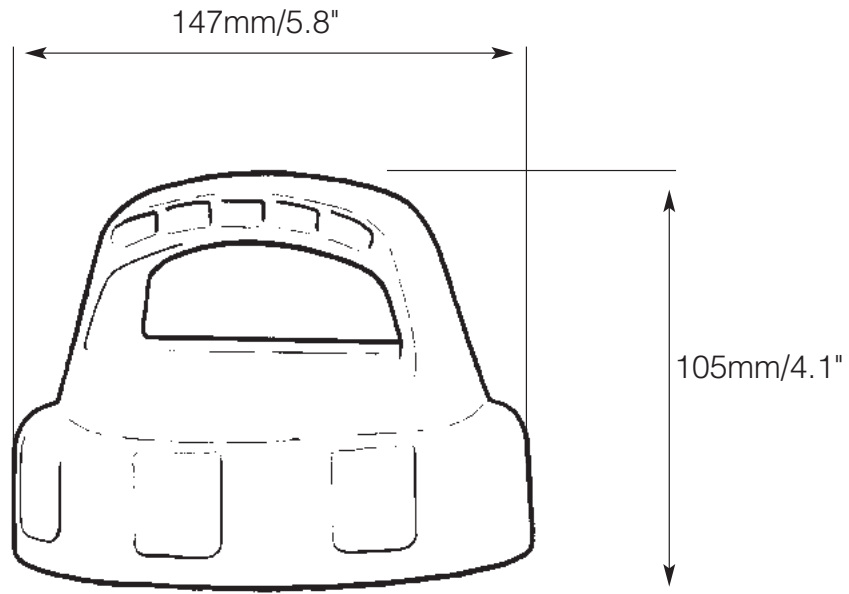
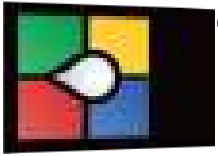
US Patent #6364176

© Whitmore Manufacturing, LLC. All Rights Reserved.

www.oilsafe.com

Product Data Sheet

Product Name:	STORAGE LID
Weight:	.525 lbs./ .24 kg.
Material:	Engineering Plastic
	NOT SUITABLE FOR USE WITH FUELS OR SOLVENTS
Service Temperature:	80°C/176°F
Additives:	UV Stabilizers Anti-Static Additives
Colors Available:	Ten



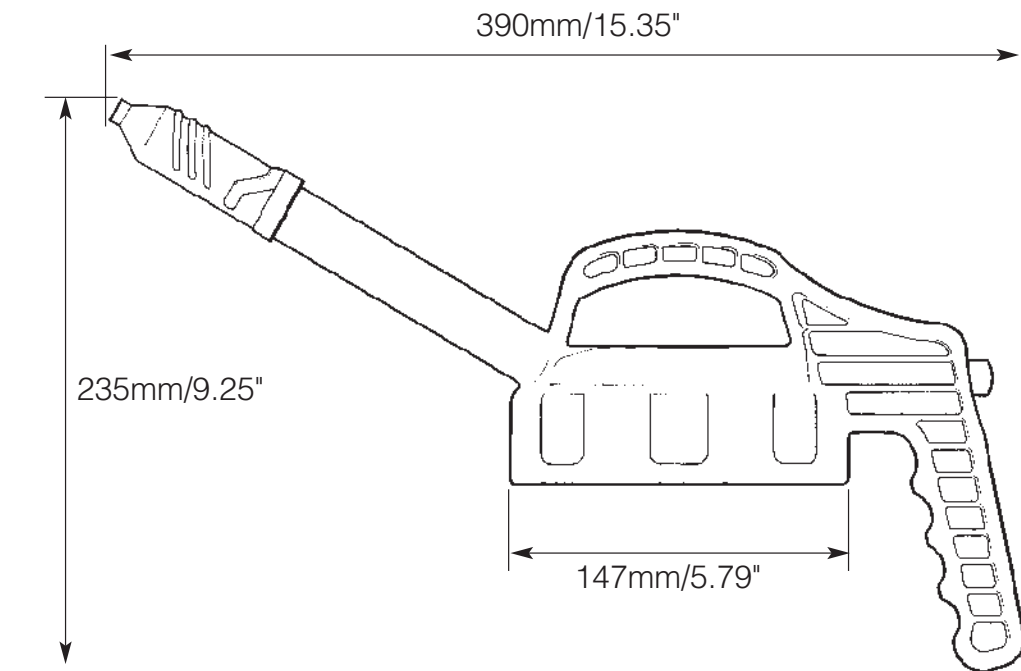
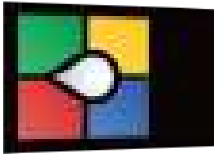
US Patent #6364176

© Whitmore Manufacturing, LLC. All Rights Reserved.

www.oilsafe.com

Product Data Sheet

Product Name:	STRETCH SPOUT LID
Weight:	.968 lbs./ .44 kg.
Material:	Engineering Plastic
	NOT SUITABLE FOR USE WITH FUELS OR SOLVENTS
Service Temperature:	80°C/176°F
Additives:	UV Stabilizers Anti-Static Additives
Colors Available:	Ten



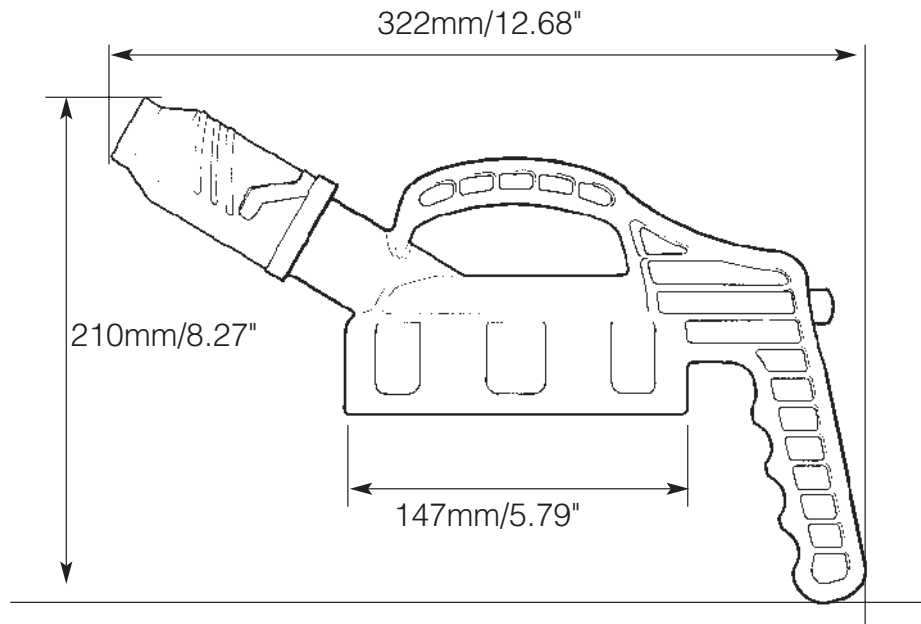
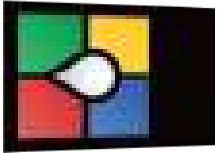
US Patent #6364176

© Whitmore Manufacturing, LLC. All Rights Reserved.

www.oilsafe.com

Product Data Sheet

Product Name:	STUMPY SPOUT LID
Weight:	.968 lbs./ .44 kg.
Material:	Engineering Plastic NOT SUITABLE FOR USE WITH FUELS OR SOLVENTS
Service Temperature:	80°C/176°F
Additives:	UV Stabilizers Anti-Static Additives
Colors Available:	Ten



US Patent #6364176

© Whitmore Manufacturing, LLC. All Rights Reserved.

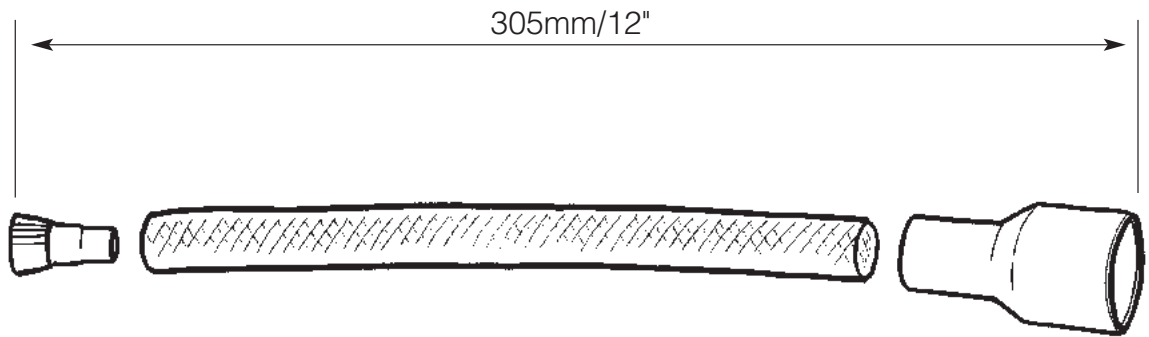
www.oilsafe.com

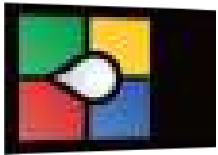
Product Name: STRETCH SPOUT HOSE EXTENSION

Weight: .156 lbs./ .07 kg.

Material: Engineering Plastic
PVC

NOT SUITABLE FOR USE WITH FUELS OR SOLVENTS





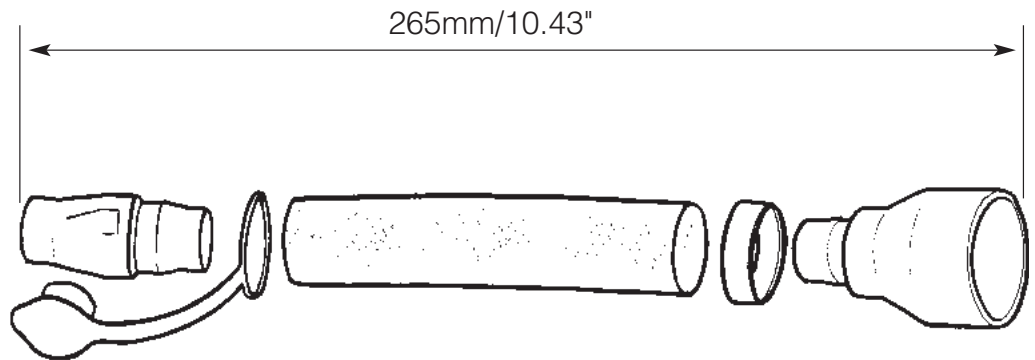
Product Data Sheet

Product Name: STUMPY SPOUT HOSE EXTENSION

Weight: .287 lbs./ .13 kg.

Material: PVC
Engineering Plastic

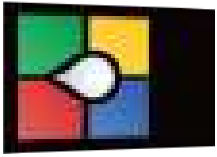
NOT SUITABLE FOR USE WITH FUELS OR SOLVENTS



US Patent #6364176

© Whitmore Manufacturing, LLC. All Rights Reserved.

www.oilsafe.com

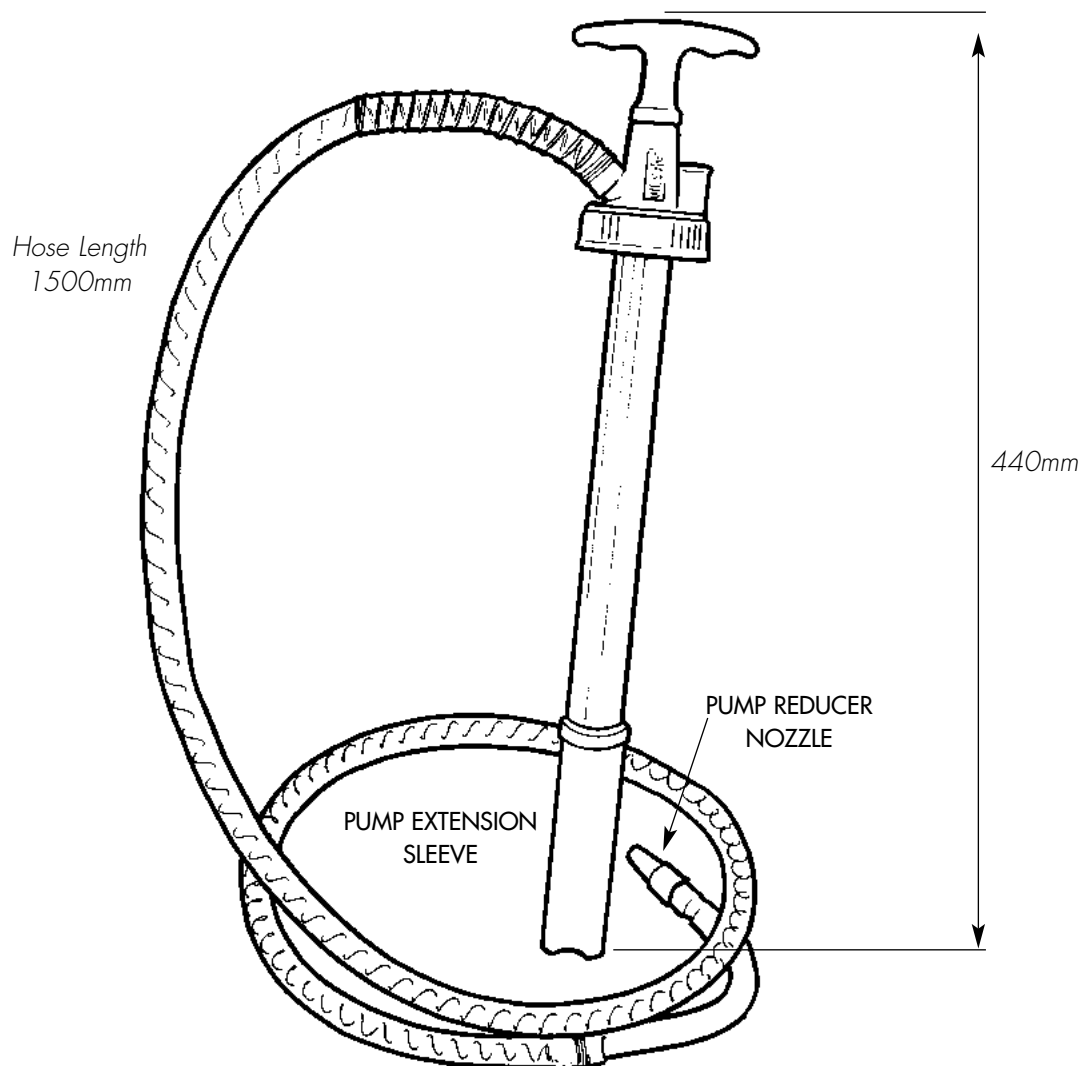


Product Data Sheet

Product Name:	OIL SAFE PUMP
Part Number:	062567
Dimensions:	Pump Length - 440 mm / 17.3 inches Hose Length - 1500 mm / 59 inches Outlet Size - 12mm / 0.5 inches
Weight:	854 grams / 30 ounces
Material:	Nozzle - Aluminium Hose - PVC Group 2 Pump Body - Nylon Poly Amide p.a.6 Pump Shaft - Mild Steel Pump Cylinder - Zinc Plated Mild Steel Pump Extension Sleeve - High Density Polyethylene (HDPE)

NOT SUITABLE FOR USE WITH FUELS OR SOLVENTS

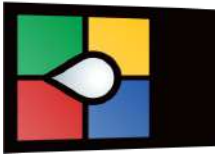
Sealing Components: Nitrile



US Patent #6364176

© Whitmore Manufacturing, LLC. All Rights Reserved.

www.oilsafe.com



Product Data Sheet

Product Name:	OIL SAFE PREMIUM PUMP
Part Number:	102300 - 102309
Dimensions:	Pump Length - 440 mm / 17.3 inches Hose Length - 1500 mm / 59 inches Outlet Size - 12mm / 0.5 inches
Weight:	854 grams / 30 ounces
Material:	Nozzle - Aluminium Hose - PVC Group 2 Pump Body - Nylon Poly Amide p.a.6 Pump Shaft - Mild Steel Pump Cylinder - Zinc Plated Mild Steel Pump Extension Sleeve - High Density Polyethylene (HDPE)

NOT SUITABLE FOR USE WITH FUELS OR SOLVENTS

Sealing Components: Viton



US Patent #6364176

© Whitmore Manufacturing, LLC. All Rights Reserved.

www.oilsafe.com



US Patent #6364176

© Whitmore Manufacturing, LLC. All Rights Reserved

www.oilsafe.com